

NP 286

**Belden FiberExpress®
Ultra Splice Tray Kits
and Enclosures**

Offering splicing solutions that support, protect and organize optical fibers to make splicing faster, easier to perform, more secure and error-free.



**Belden's Splice Trays
Ease Optical Fiber Splicing,
while our Steel Enclosures
Help Organize and Protect
Cables and Splices**

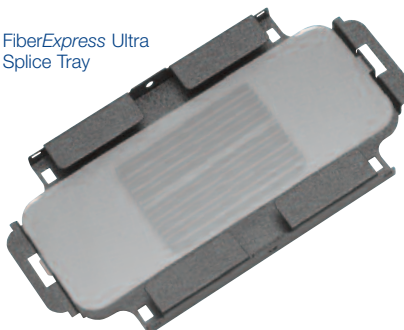
Belden provides everything data center and IT network managers need to effectively implement and maintain their mission-critical fiber optic infrastructure.

The FiberExpress Ultra Patch Panel System offers:

- Ultra high density for maximum floor and rack space
- Ultra easy installation and maintenance to save on installation and labor costs
- Ultra flexibility and manageability; easy access for making fast, efficient moves, adds and changes without disruption to neighboring connections

Belden also offers a full complement of FiberExpress Ultra accessories designed to help users successfully implement the Patch Panel System, as well as quickly and easily perform required maintenance, cable management, and moves, adds and changes.

FiberExpress Ultra
Splice Tray



FiberExpress Ultra Splice Tray Kits

Splice Tray Kits provide the mechanical support and fiber protection needed to facilitate fiber splicing in FiberExpress Ultra Patch Panels and Splice Enclosures.

- Are ruggedly constructed of 20 gauge steel with a Lexan cover
- Each Kit contains:
 - One (1) organizer tray
 - Fiber support and protection tubes
 - Cable ties and identification markers
- Are available in the following sizes:
 - 8" Splice Tray with capacity of 24 splices
 - 10" Splice Tray with capacity of 36 splices
 - 12" Splice Tray with capacity of 24 splices

Features and Functionality

- Access to individual fibers for testing and re-splicing
- Secure positioning of a length of slack fiber for re-splicing
- Easy identification of fibers and fiber groups
- Full compatibility with 250 μ m (loose buffered) and 900 μ m (tight buffered) optical fiber

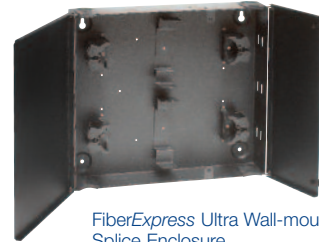
Belden provides everything data center and IT network managers need to effectively implement and maintain their mission-critical fiber optic infrastructure.

FiberExpress Ultra Wall- and Rack-mount Splice Enclosures

Our versatile steel enclosures are equipped with all the hardware necessary for the convenient organization and protection of cables and splices. They are available in both Wall-mount and Rack-mount versions.

The FiberExpress Ultra Wall- and Rack-mount Splice Enclosures provide:

- Capacity for a maximum of 144 fibers
- Integrated cable management which provides proper bend radius and intuitive cable routing
- A convenient area for bonding, grounding and terminating the cables (Kit does not include bond clamp, ground clip and cable ties)
- A cable and fiber labeling system for easy identification
- The rack-mount version can be installed on 19-inch or 23-inch racks and cabinets (with provided Phillip Screws #10-32 (4) and #12-24 (4))

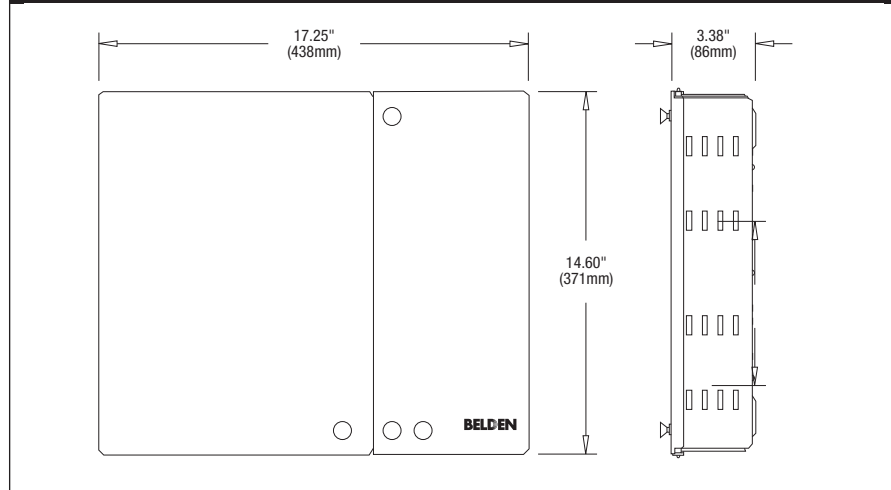


FiberExpress Ultra Wall-mount Splice Enclosure

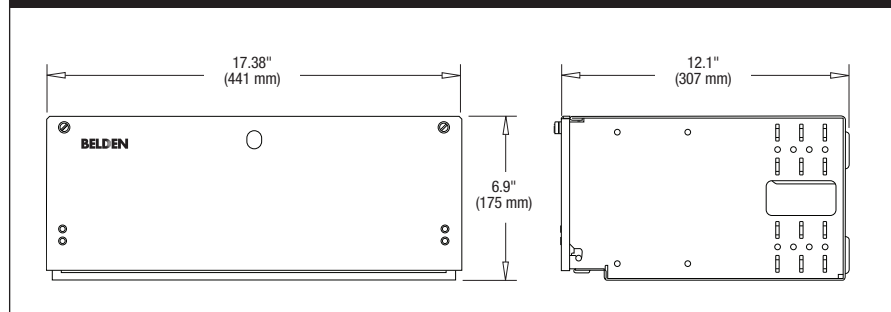


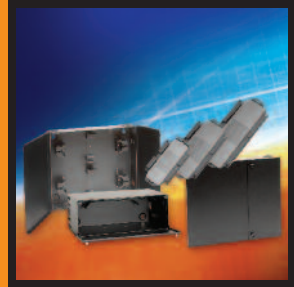
FiberExpress Ultra Rack-mount with Splice Tray Caddy

FiberExpress Ultra Wall-mount Splice Enclosure Dimensions



FiberExpress Ultra Rack-mount Splice Enclosure Dimensions





Technical Specifications

Capacity:

- Wall-mount Splice Enclosure: maximum of 144 fibers
- Rack-mount Splice Enclosure: maximum of 144 fibers
- Splice Tray Kits
 - 8" Splice Tray: optimal capacity of 24 splices
 - 10" Splice Tray: optimal capacity of 36 splices
 - 12" Splice Tray: optimal capacity of 24 splices

Dimensions (H x W x D):

- Wall-mount Splice Enclosure
14.6" x 17.25" x 3.38" (37.1 x 43.8 x 8.6 cm)
- Rack-mount Splice Enclosure
6.9" x 17.38" x 12.1" (17.5 x 44.1 x 30.7 cm)
- Splice Trays
 - 8" Splice Tray = 0.55" x 4.5" x 8"
(1.4 x 11.4 x 20.3 cm)
 - 10" Splice Tray = 0.55" x 5.5" x 10"
(1.4 x 14.0 x 25.4 cm)
 - 12" Splice Tray = 0.55" x 5.5" x 12"
(1.4 x 14.0 x 30.5 cm)

Materials:

- Enclosures are 16 and 18 gauge steel for all parts, except bend radius controllers (spools) which are made of plastic
- Trays: Steel Gauge #20; Lexan cover (included)

Weight:

- Wall-mount Splice Enclosure
12.3 lbs (5.6 Kgs)
- Rack-mount Splice Enclosure
23 lbs (10.4 Kgs)

Performance:

- Meets and exceeds TIA-568-C.3

FiberExpress Ultra Accessories

Optional accessories available include:

- Belden FiberExpress Ultra Lock Kit for use with the FiberExpress Ultra Wall-mount Patch Panel and Splice Enclosure
- Belden FiberExpress Ultra Flex Kit, which is designed to provide additional fiber protection and helps to maintain proper fiber bend radius

Ordering Tips

- Enclosure comes with administration and caution labels, mounting wood screws, cable ties, Velcro straps and installation guide
- Enclosures are available in Black
- Splice Tray Capacity:
 - Wall-mount Splice Enclosure:
4 x 10" trays = up to 144 splicings
 - Rack-mount Splice Enclosure:
6 x 12" trays = up to 144 splicings
- FiberExpress Ultra Splice Trays are ordered separately from the panels
- Please validate FiberExpress Ultra Patch Panel or Enclosure Splice Tray capacity for optimum installation results



FiberExpress Ultra Rack-mount Splice Tray
(included with rack-mount)



Close-up view of the fiber spools inside
the Wall-mount Splice Enclosure

Installation Tips

- Electronic copy of installation guide is available on the web; www.belden.com, search on Information Center
- Printable blank labels are available on the web; www.belden.com, search on Information Center
- If required, ground the patch panel to the Telecommunications Ground Bar
- Allow access clearance at the front of the patch panel at all times

Only Belden FiberExpress Ultra Has It All!

FiberExpress Ultra is the culmination of Belden's commitment to providing innovative and reliable fiber patching solutions offering high density, superior performance, ease of installation and maintenance, and optimal manageability.

To learn more about our cost-effective, labor-saving fiber optic solutions that deliver the network uptime you require and the low total cost of ownership you deserve, call 1.800.BELDEN.1 or visit our Website at www.belden.com.

Ordering Information

Description	Belden Part Number
Wall- and Rack-mount Splice Enclosures	
Wall-mount Splice Enclosure, Black	AX103930
Rack-mount Splice Enclosure, 4U, Black	AX103900
Splice Kits/Lock	
8" Splice Tray Kit	AX103912
10" Splice Tray Kit	AX103913
12" Splice Tray Kit	AX103914
Lock (for Wall-mount Splice Enclosure)	AX103934
Patch Panel and Splice Enclosure Flex Kit	AX104002

Belden FiberExpress Ultra Rack-mount and Wall-mount Patch Panels, Cassettes, Frames and Bezels are also available and can be ordered separately. See Belden Product Bulletins NP 284, 285 and 287 for complete product listings and ordering information.

FiberExpress Ultra Patch Panel System

