

NP 284

FiberExpress® Ultra Patch Panel System

Belden® FiberExpress Ultra Patch Panels offer ultra high density connection while facilitating cable routing and patch cord management.



Belden's Innovative Rack-mount and Wall-mount Patch Panel System Signals New Era of Optical Fiber Patching Reliability and Ease of Use

With the increased use of optical fiber to support large volumes of high-speed data transmission and data-intensive applications in data centers, corporate and campus network backbones, and other complex IT architectures, CIOs and IT network administrators are looking for higher density, cost-effective solutions that are scalable, future-proofed, and easy to deploy and manage.

At the same time, because of the sheer volume of data and the mission-critical applications supported by fiber, downtime is simply not an option, so utmost reliability is paramount.

Belden developed its FiberExpress® Ultra Patch Panel System to respond to these urgent marketplace needs. FiberExpress Ultra has been built around three core concepts:

- Ultra high density
- Ultra easy installation and maintenance
- Ultra flexibility and manageability

FiberExpress Ultra Patch Panel System

Specifically, the FiberExpress Ultra Patch Panel System offers:

- Ultra high connection density, while facilitating cable routing and patch cord management.
- Seamless integration with all Belden FiberExpress cables, connectors and management components. This addresses the scalability issue in a variety of markets where future fiber build-outs are likely to occur.
- Highest degree of user-friendliness in terms of ease of installation and maintenance accessibility to save on installation and labor costs. Also, provides flexibility and easy access for making fast efficient moves, adds and changes – without disruption to neighboring connections.

Two versions are now available, selection depends on the configuration requirements, density, and available real estate. These include:

- FiberExpress Ultra Rack-mount Patch Panels
- FiberExpress Ultra Wall-mount Patch Panels.

In both FiberExpress Ultra versions, integrated cable management maintains proper bend radius and intuitive cable routing. For termination, users can choose traditional field termination methods, such as field connectors or fusion splice, or use Belden FiberExpress Ultra Pre-terminated Cassettes. Both versions also include space for splice trays and cable management accessories.

FiberExpress Ultra Rack-mount Patch Panels

Features and Benefits

Available in two sizes – 1U and 4U – for rack mounting:

- 1U capacity patch panels accommodate four (4) Frames or Cassettes for a maximum of 96 fibers (LC or MT-RJ)
- 4U capacity patch panels accommodate 12 Frames or Cassettes for a maximum of 288 fibers (LC or MT-RJ)
- 4U unit features a unique 3-position labeling display, allowing labels to be viewed from various positions or stowed away entirely
- Panels offer swing-out doors for easy front or back access



FiberExpress Ultra 4U Rack-mount Patch Panel

Technical Specifications

Maximum connectivity capacity:

- 1U = 4 Frames or Cassettes for a maximum 48 fibers with ST, SC, FC; and 96 fibers LC or MT-RJ
- 4U = 12 Frames or Cassettes for a maximum 144 fibers with ST, SC, FC; and 288 fibers LC or MT-RJ

Dimensions (H x W x D):

- 1U = 1.73" x 19" x 20.5"
(4.4 cm x 48.2 cm x 52.0 cm)
- 4U = 6.96" x 19" x 20.9"
(17.7 x 48.2 x 53.0 cm)

Materials:

- Panel is constructed of Steel Gauge #16
- Door is constructed of Lexan, Smoke

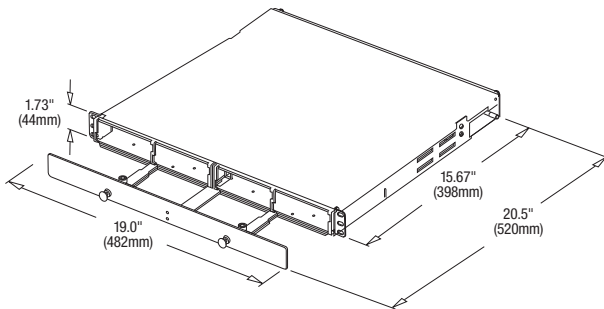
Weight:

- 1U = 14.7 lbs (6.7 Kg)
- 4U = 34.3 lbs (15.6 Kg)

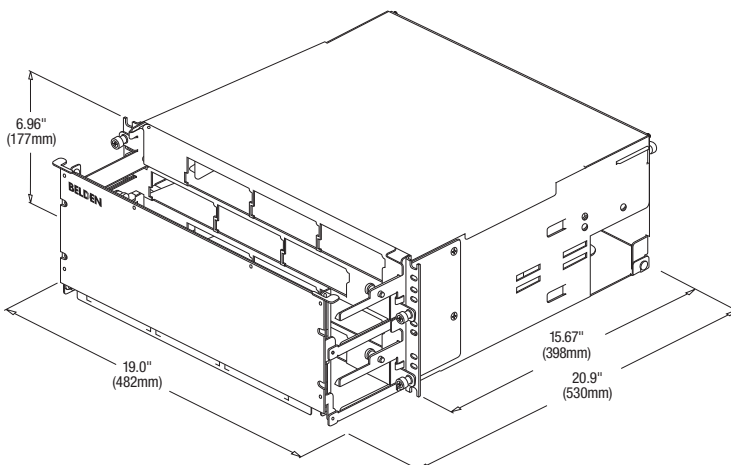
Ordering Tips

- Each panel comes with a Hardware Kit that includes the following:
 - 1U: Identification Labels (8), Cable Ties (6), Velcro Straps (2), Phillip Screws #10-32 (4) and #12-24 (4), Kurly Locks (4)
 - 4U: Identification Labels (16), Cable Ties (20), Velcro Straps (2), Phillip Screws #10-32 (4) and #12-24 (4), Kurly Locks (12), Bend Radius Controllers (4)
- Splice Tray capacity:
 - 1U: Two – 12" FiberExpress Ultra Splice trays
 - 4U: Eight – 8" FiberExpress Ultra Splice trays (2 per 1U)
- FiberExpress Ultra Bezels/Frames and Cassettes are ordered separately: Belden New Product Bulletins 287 and 285, respectively
- Patch Cord Management Brackets and Rack-mount Patch Panel Cover are ordered separately for the 1U.

FiberExpress Ultra 1U Rack-mount Patch Panel Dimensions



FiberExpress Ultra 4U Rack-mount Patch Panel Dimensions





FiberExpress Ultra Wall-mount Patch Panels

Features and Benefits

- Rugged steel construction and modular design, available in one size and is stackable for custom configurations
- Accommodates two (2) Frames or Cassettes for a maximum capacity of 48 fibers (LC or MT-RJ)
- Stackable for additional capacity, using Wall-mount 2-inch spacers for a neat finished look
- Optional key lock for right and left doors



FiberExpress Ultra Wall-mount Patch Panel with Spacer

Technical Specifications

Maximum connectivity capacity:

- Two (2) FiberExpress frames or cassettes for a maximum of 48 fibers (LC or MT-RJ)

Dimensions (H x W x D):

- 14.60" x 17.25" x 3.38"
(37.1 cm x 43.8 cm x 8.6 cm)

Materials:

- 16 and 18 gauge steel for all parts, except bend radius controllers (spools) which are made of plastic

Weight:

- 11.8 lbs (5.38 Kgs)

Ordering Tips

- Panel comes with printable or hand-written blank administration labels, caution labels, mounting wood screws, cable ties, and Velcro straps
- Splice Tray capacity: (2) x 8" trays = up to 48 connections
- FiberExpress Ultra Bezels/Frames and Cassettes are ordered separately: Belden New Product Bulletins 287 and 285, respectively
- When optical fibers require splicing, the FiberExpress Ultra Splicing Tray must be ordered separately, NP 286

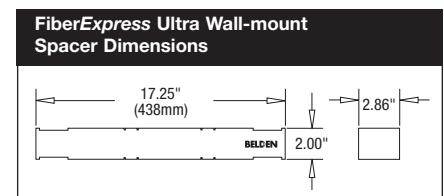
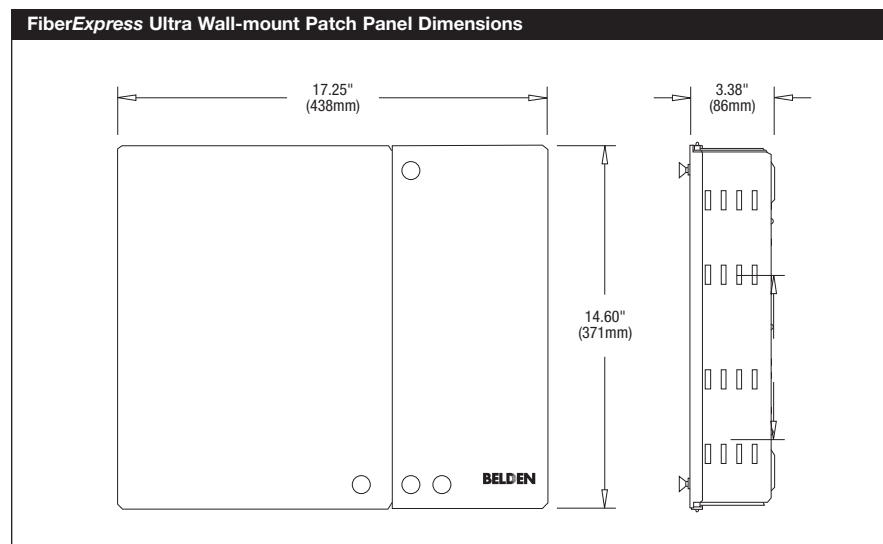
Installation Tips for all Panels

- Each panel packaging includes an installation guide (also available on the web; www.belden.com, search on Information Center)
- Printable blank labels (also available on the web; www.belden.com, search on Information Center).
- If required, ground the rack- or wall-mount patch panel to the Telecommunications Ground Bar
- When planning a patch panel configuration allow space for future expansion
- Allow access clearance at the front of the patch panel

Only Belden FiberExpress Ultra Has It All!

FiberExpress Ultra is the culmination of Belden's commitment to providing innovative and reliable fiber patching solutions offering high density, superior performance, ease of installation and maintenance, and optimal manageability.

To learn more about our cost-effective, labor-saving fiber optic solutions that deliver the network uptime you require and the low total cost of ownership you deserve, call 1.800.BELDEN.1 or visit our Website at www.belden.com.



FiberExpress Ultra Wall-mount Spacer

FiberExpress Ultra Rack-mount and Wall-mount Patch Panels

Ordering Information

Description	Belden Part Number
Rack-mount Patch Panels/Components	
1U Patch Panel, 19", Black	AX103143
4U Patch Panel, 19", Black	AX103267
4U 23" Extension Brackets, Black	AX103910
Patch Cord Management Brackets, Black	AX103272
1U Patch Cord Cover	AX103915
Wall-mount Patch Panels/Components	
Stackable Patch Panel, Black	AX103928
2-inch Spacer, Black	AX103932
Door Lock Kit	AX103934

Belden FiberExpress Ultra Splice Enclosures/Trays, Bezels, Frames and Cassettes are available and can be ordered separately. See Belden Product Bulletins NP 285, 286 and 287 for complete product listings and ordering information.

FiberExpress Ultra Accessories



23" Extension Mounting Brackets for
4U Rack-mount Patch Panel



Patch Cord Management Brackets



Smoked Cover for
1U Rack-mount Patch Panel